

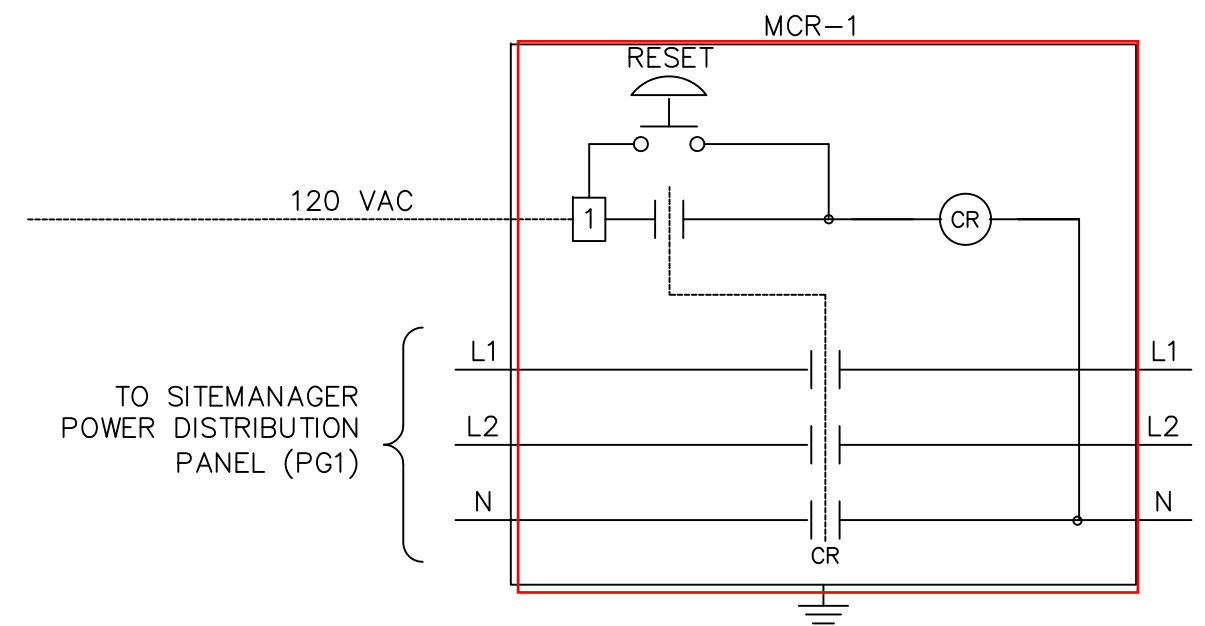
VERIFY THAT THE NEUTRALS FOR THE FIRE SYSTEM AND THE FEED TO THE MCR-1 ORIGINATE FROM THE SAME PANELS. IF NOT THEN THE COIL FROM THE MCR-1 MUST TO THE SAME NUETRAL AS THE FIRE SYSTEM

TO RESET THE MCR-1 (EMERGENCY STOP CONTROL CONTACTOR)

#1 DEPRESS THE SOLENOID MONITOR SWITCH ON THE FIRE SUPPRESSION SYSTEM LOCATED PSISM-120. THIS INDICATOR LIGHT WILL COME ON IF THE FIRE SYSTEM IS READY.

#2 VERIFY PB1 IS PULLED OUT (ESTOP ON THE SITEMANAGER)

#3 DEPRESS THE RESET SWITCH ON THE MCR-1 CONTACTOR PANELS. THE CONTACTOR WILL PULL IN.



REV.	DESCRIPTION	BY	CK.	DATE
1				

DO NOT USE THIS PRINT FOR CONSTRUCTION UNLESS CERTIFIED AND DATED.  
 THIS DOCUMENT IS THE PROPERTY OF PETROPANELS.COM & LPS, Inc. DO NOT REPRODUCE, FURNISH TO OTHERS, OR USE FOR OTHER THAN PURPOSE INTENDED WITHOUT EXPRESS WRITTEN CONSENT OF PETROPANELS.COM. ALL WHOSE RIGHTS ARE HEREIN RESERVED.

DWR:JLM  
 DATE: 08/12/10  
 CK: JLM  
 DATE: -  
 APP'D: -  
 DATE: -

TITLE: NYPA POWER DAM MESSENA NY MCR-1 EMERGENCY CONTROL RELAY  
 DWG. NO. P10-0102-E3  
 DWG. SIZE B  
 SH. 1 OF 1